

Joints For Bed

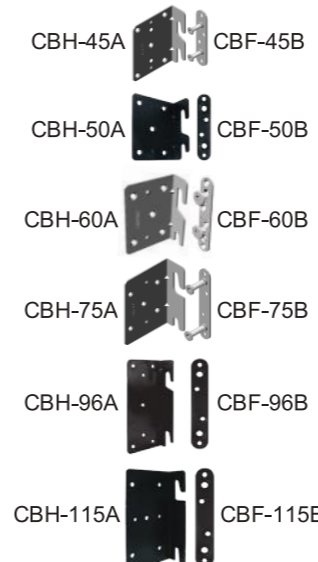
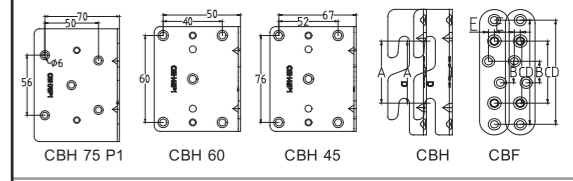

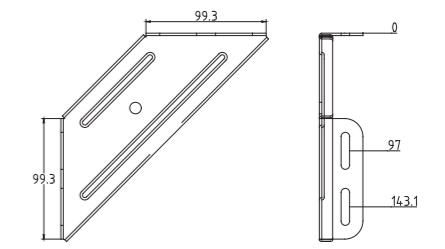

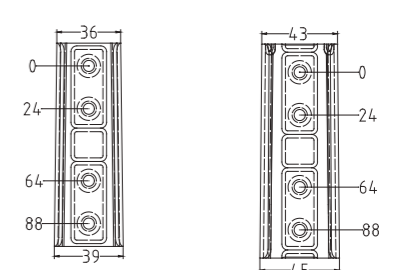

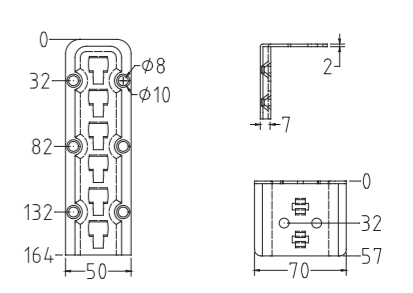
Product Specification

The Compo brackets are designed to make designing beds a little bit easier and as always, these brackets are made to the exacting standards of Compo.

Compo has developed various type of joints for bedding products. Its current product range include:-

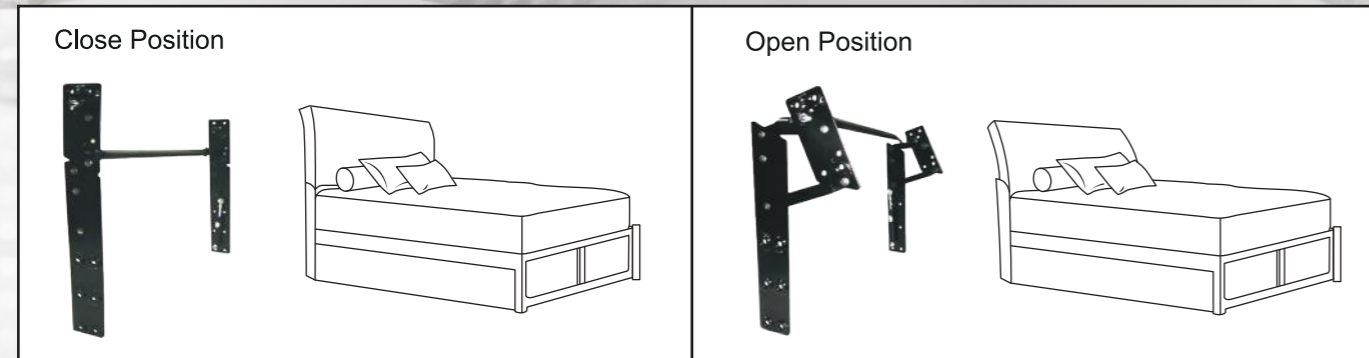
- Corner bracket hook
- Leg bracket
- Bayonet hinge (KD bracket)
- Height Adjustment bracket



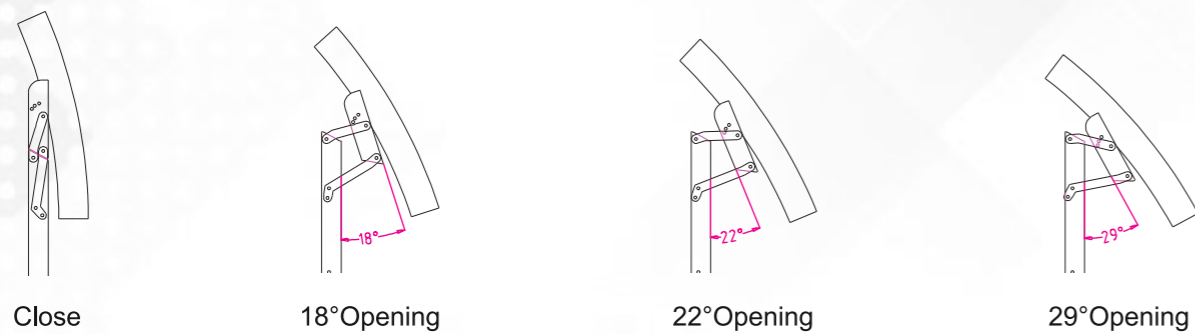
Brackets	Description	Technical Specification																																																																																											
 <p>Corner Hook Bracket</p>	<p>This knock down bracket is designed to hold the side board firmly and square together. It comes with 4 pieces of screws. The brackets are left / right sided.</p> <p>Finishing: Rainbow Zinc or Black Zinc</p>	 <table border="1"> <thead> <tr> <th>Part</th> <th>Thickness</th> <th>A</th> <th>B</th> <th>C</th> <th>D</th> <th>E</th> </tr> </thead> <tbody> <tr> <td>CBH45</td> <td>2.0</td> <td>45</td> <td>-</td> <td>-</td> <td>-</td> <td>-</td> </tr> <tr> <td>CBF45</td> <td>2.0</td> <td>-</td> <td>16</td> <td>45</td> <td>75.5</td> <td>4</td> </tr> <tr> <td>CBH50</td> <td>1.8</td> <td>50</td> <td>-</td> <td>-</td> <td>-</td> <td>-</td> </tr> <tr> <td>CBF50</td> <td>1.8</td> <td>-</td> <td>20</td> <td>50</td> <td>75</td> <td>3</td> </tr> <tr> <td>CBH60</td> <td>1.9</td> <td>60</td> <td>-</td> <td>-</td> <td>-</td> <td>-</td> </tr> <tr> <td>CBF60</td> <td>1.9</td> <td>-</td> <td>20</td> <td>60</td> <td>85</td> <td>3</td> </tr> <tr> <td>CBH75</td> <td>2.0</td> <td>75</td> <td>-</td> <td>-</td> <td>-</td> <td>-</td> </tr> <tr> <td>CBF75</td> <td>2.0</td> <td>-</td> <td>37.5</td> <td>75</td> <td>99</td> <td>3</td> </tr> <tr> <td>CBH96</td> <td>2.0</td> <td>96</td> <td>-</td> <td>-</td> <td>-</td> <td>-</td> </tr> <tr> <td>CBF96</td> <td>2.0</td> <td>-</td> <td>65.5</td> <td>96</td> <td>120.5</td> <td>4</td> </tr> <tr> <td>CBH115</td> <td>2.5</td> <td>115</td> <td>-</td> <td>-</td> <td>-</td> <td>-</td> </tr> <tr> <td>CBF115</td> <td>2.5</td> <td>-</td> <td>78</td> <td>115</td> <td>152</td> <td>3</td> </tr> </tbody> </table>	Part	Thickness	A	B	C	D	E	CBH45	2.0	45	-	-	-	-	CBF45	2.0	-	16	45	75.5	4	CBH50	1.8	50	-	-	-	-	CBF50	1.8	-	20	50	75	3	CBH60	1.9	60	-	-	-	-	CBF60	1.9	-	20	60	85	3	CBH75	2.0	75	-	-	-	-	CBF75	2.0	-	37.5	75	99	3	CBH96	2.0	96	-	-	-	-	CBF96	2.0	-	65.5	96	120.5	4	CBH115	2.5	115	-	-	-	-	CBF115	2.5	-	78	115	152	3
Part	Thickness	A	B	C	D	E																																																																																							
CBH45	2.0	45	-	-	-	-																																																																																							
CBF45	2.0	-	16	45	75.5	4																																																																																							
CBH50	1.8	50	-	-	-	-																																																																																							
CBF50	1.8	-	20	50	75	3																																																																																							
CBH60	1.9	60	-	-	-	-																																																																																							
CBF60	1.9	-	20	60	85	3																																																																																							
CBH75	2.0	75	-	-	-	-																																																																																							
CBF75	2.0	-	37.5	75	99	3																																																																																							
CBH96	2.0	96	-	-	-	-																																																																																							
CBF96	2.0	-	65.5	96	120.5	4																																																																																							
CBH115	2.5	115	-	-	-	-																																																																																							
CBF115	2.5	-	78	115	152	3																																																																																							
 <p>Leg Mounting Bracket</p>	<p>This bracket is designed to allow easy mounting of legs to beds. It can also be used as the seat for the bed base. The bracket will support load up to 120 kg.</p> <p>Finishing: Rainbow Zinc or Black Epoxy</p>																																																																																												
 <p>Bayonet Hinge (KD Bracket)</p>	<p>This bracket is ideal for joining head board to the bed. It can also be used for joining arm of sofa and many other application. Each hinge can take load up to 100 kg.</p> <p>Finishing: Rainbow Zinc or Blue Zink</p>																																																																																												
 <p>Height Adjustment</p>	<p>HAB101 is specifically designed to allow for adjustment to the height of bed base. It allow on adjustment up to 125mm.</p> <p>HAB102 is designed for additional support for the bed base. It is designed to match with customized steel support which is available on request.</p> <p>Finishing: Rainbow Zinc or Blue Zink</p>																																																																																												

Our Head Board Bracket offers three positions for comfortable and supportive means of watching TV, reading or even having breakfast in bed. Its high impact resistance also offers low noise created during adjusting the head board.

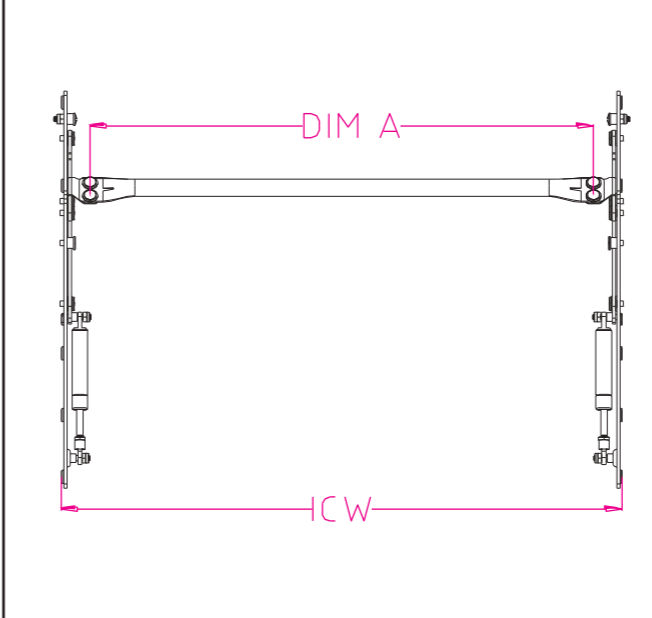
As always these products are made to the exacting standard of Compo.



Side Elevation



Available Width



Model	ICW (mm)	Dim A (mm)
17"	376.4	320.2
18"	401.8	345.6
19"	427.2	371
20"	452.6	396.4
22"	503.4	447.2
23"	528.8	472.6
24"	554.2	498.0
25"	579.6	523.4
26"	605.0	548.8
27"	630.4	574.2
28"	655.8	599.6
29"	681.2	625
30"	706.6	650.4

