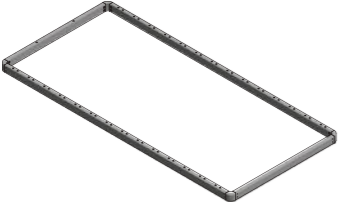




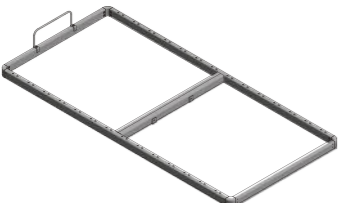
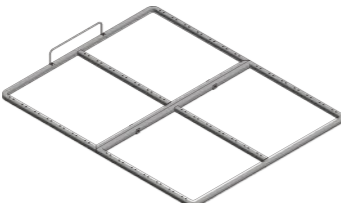
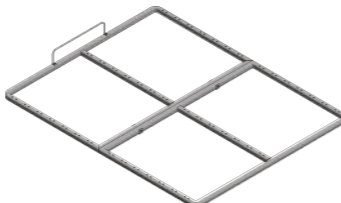
# Welded Bed Frame (WBF 1xx/2xx)

Compo can make customized standard frames for bed. This can be used for standard beds or for storage beds. All the frames are factory made to tight tolerance and finished in black epoxy power coating. We can make to any customized sizes.

## Vertical Split Frame (WBF 101)

Single size bed Frame	Queen size bed Frame	King size bed Frame
		








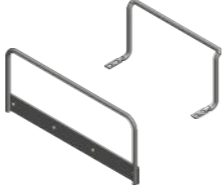
## Horizontal Split Frame (WBF 201)

Single size bed Frame	Queen size bed Frame	King size bed Frame
		

## Available Pipe Size

Pipe Size	Thickness			Welded Bed Frame	
	1.0	1.1	1.2	Vertical	Horizontal
20" x 30"	✓	✗	✓	✓	✓
20" x 38"	✓	✗	✗	✓	✓
32" x 32"	✗	✓	✗	✓	✓

## Accessories (optional)

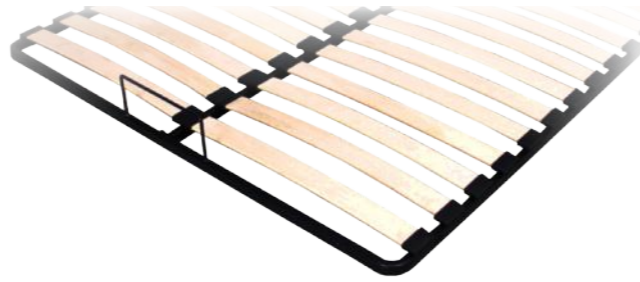
 Center Flat Bar (optional)	 Center Leg (optional)	 Leg Mounting Bracket (optional)	 Mattress Rail
 Center Slat Holder	 Side Slat Holder	 Wood Slat	 Mattress Lifting Handle



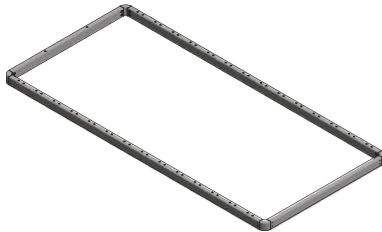
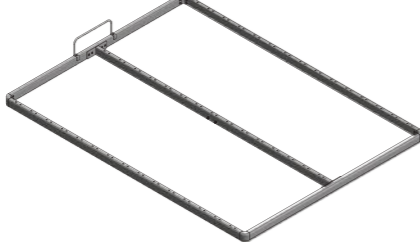
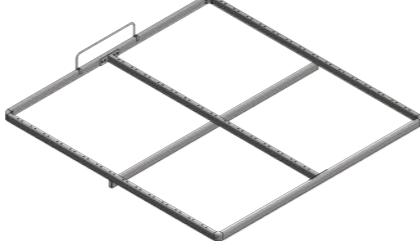


# KD Bed Frame (Plastic / Metal Joint - KBF xxx)

Compo can make customized standard frames for bed. This can be used for standard beds or for storage beds. All the frames are factory made to tight tolerance and finished in black epoxy power coating. We can make to any customized sizes.



## KD Bed Frame (KBF xxx)

Single size bed Frame	Queen size bed Frame	King size bed Frame
		

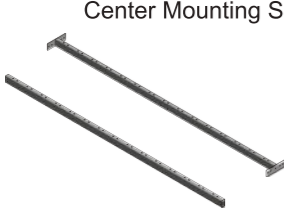
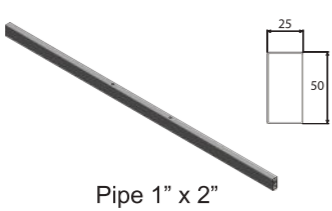




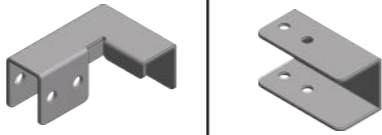
## Available Pipe Size for Plastic Joint (KBF 1xx)

Pipe Size	Thickness		
	1.0	1.1	1.2
20mm x 30mm	×	×	✓
25mm x 50mm	×	✓	×

## Available Pipe Size for Metal Joint (KBF 2xx)

Pipe Size	Thickness		
	1.0	1.1	1.2
20mm x 30mm	✓	×	✓
20mm x 38mm	✓	×	×
32mm x 32mm	×	✓	×

## Accessories

 Center Mounting Slat Rail		 Side Mounting Slat Rail		 Pipe 1" x 2" Thickness 1.2mm		 Wood Slat	
 Center Slat Holder		 Side Slat Holder		 Available for 25mm x 50mm (Pipe Size)    Available for 20mm x 30mm (Pipe Size)		 Available for 20mm x 30mm (Pipe Size)    Available for 32mm x 32mm (Pipe Size)    Available for 20mm x 30mm (Pipe Size)    Available for 32mm x 32mm (Pipe Size)	
Center Slat Holder		Side Slat Holder		KD Joint (plastic)		Metal Joint	

