

The Box Hinges is designed for big sofa arm application. Instead of wasting the space available in a big arm, a box can be concealed under the arm. The unique features of this box is totally invisible after upholstery. There is absolutely no joint lines visible from the outside. This hinges is ideal for modern style furniture.



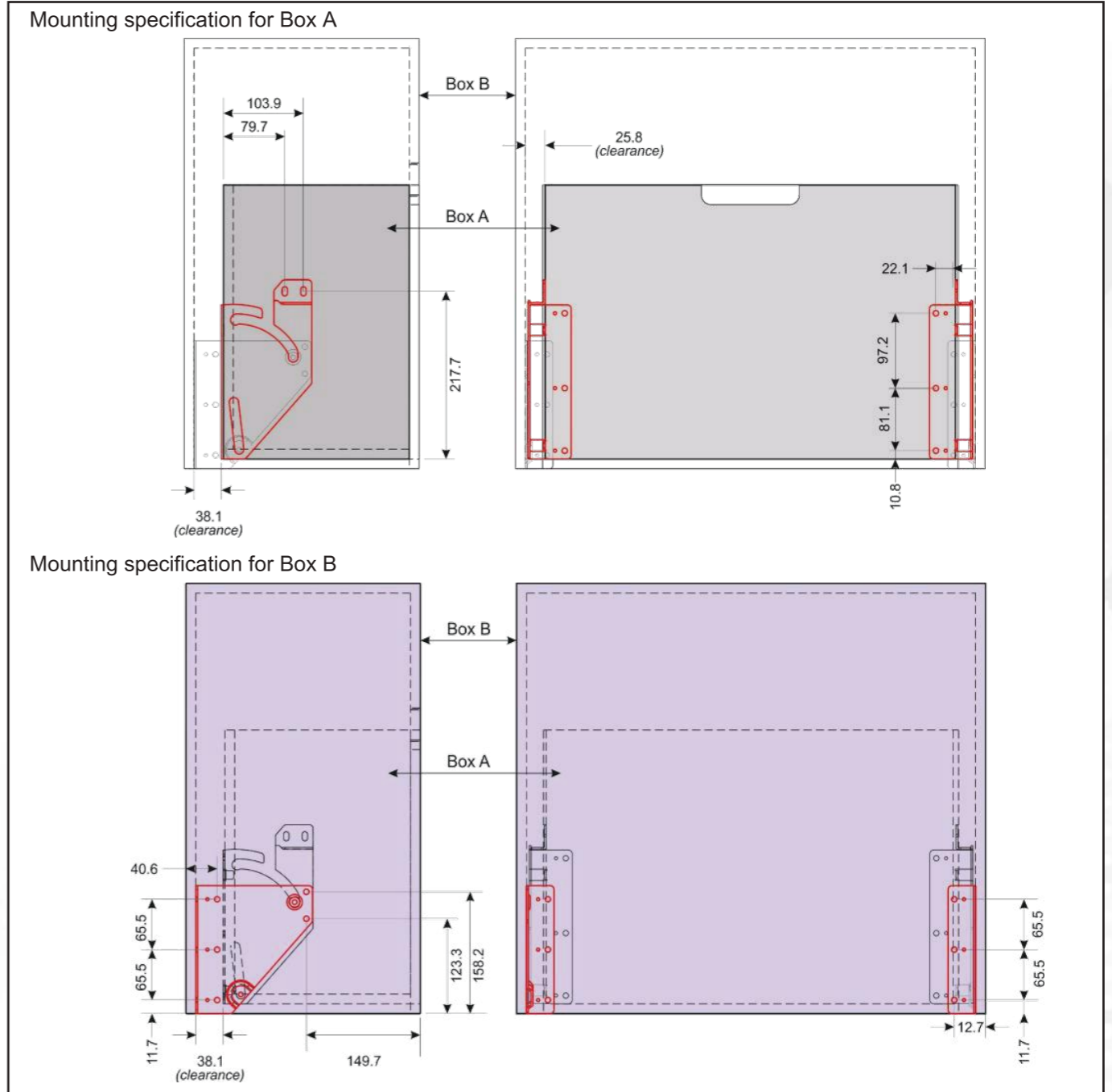
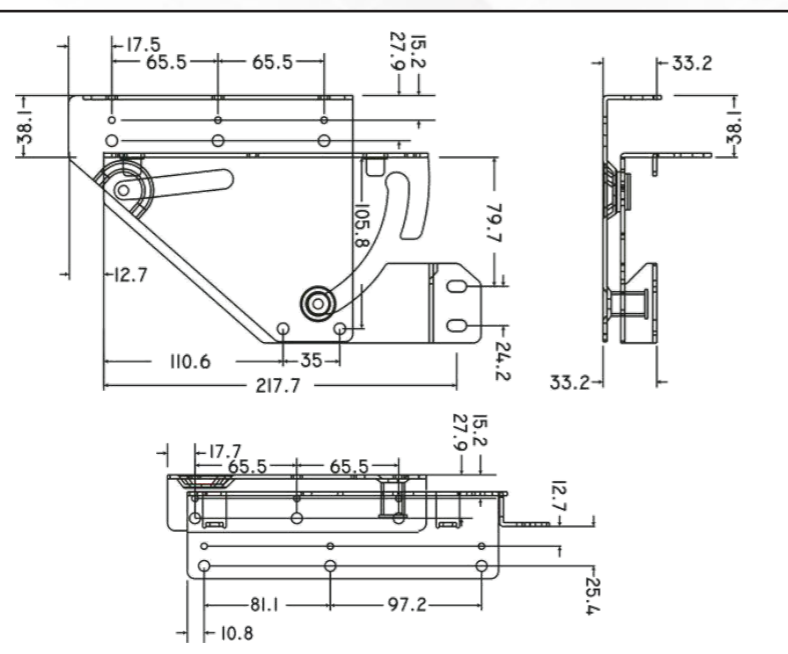
Application

This box hinges is design to open flush for easy mounting	After mounting, the hinges can be lifted up and slide into the groove for application.	The hinges is design to stay firmly slant and can open be only with little lifting action.

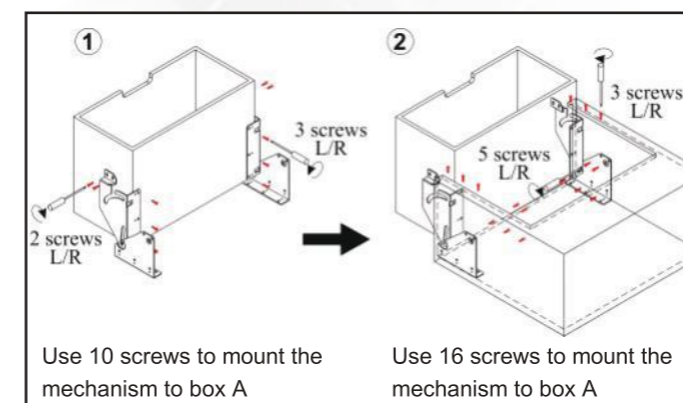
Picture



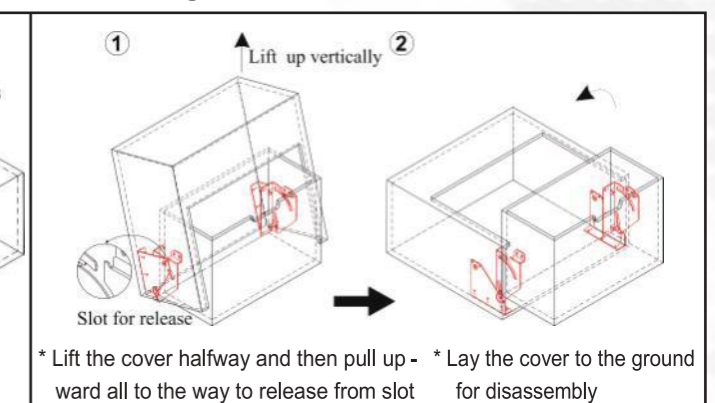
Technical Specification



Assembly



Dismantling



Sofa Storage Hinge

Compo have various option of storage hinges and stay to assist sofa maker develop their storage sofa or stool. Each of these products have its own strength and weakness. Compo can help sofa maker make the right choice.



Model	Description	Application
SSH 101 	This sofa storage hinge is ideal for making L-Shape sofa with storage box.	
SSH 102 	This sofa storage hinge is ideal for shorter application and can be used for stools and 2/3 seater.	
SSH 103 	This hinge is an economical hinge and can be used for storage boxes, stools and sofa.	
SSH 201 	This is a flap stay and is to be used together with a pair of butt hinge.	
SSH 301 	This is a flap stay and is to be used together with a pair of butt hinge.	 

