



Hardware by Compo 

E-Series Wall Bunk Bed (WBB 702)

Product Description :

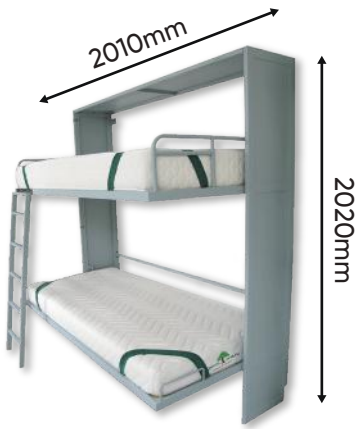
Traditional bunk beds are bulky and take up a lot of floor space in the bedroom. The E-Series Wall Bunk Bed is designed as a space saving tool, allowing the bunk bed to be folded away when not required. It is the perfect solution as a guest bed for two, especially when there are guest that intends to spend a few nights. We want to make sure you are the host with our most stylish, guest ready space saver.

Key Features :

- Both beds can be opened one simple tug and closed by a simple push.
- Both beds features a soft closing system for minimal disturbance.
- Super sturdy guard rails for the top bunk bed.
- Suitable for children's room and spare bedrooms.



Dimensions :









Common Bed Sizes :

- Euro Single (900x1900)
- Euro Single (800x2000)
- Euro Long Single (900x2000)
- Taiwan Single (910x1880)
- UK/MY/SG Single (900x1910)
- UK Small Single (760x1910)
- AUS/NZ (920x1880)
- AUS/NZ Single XL (920x2030)

Remarks :

"Bed sizes are also customizable for any single bed sizes according to your requirements."

Features :

	Specially developed gas lift provide easy lifting and opening action.		Detachable ladder with secure locking mechanism.
	Elastic bed straps for easily securing mattress.		Color customizable rigid side metal frame.
	Easy 15 minute assembly with included instruction.		Customizable upholstered top and bottom front panel.



Hardware by Compo 

Vertical Wall Bed (WBB101)

Extro Wall Bed is designed as a space saving product combining bed and table function into one single product. This product allows consumer to release previously unavailable space. It is a perfect product for modern but small living space in urban environment.

Key Features:

- The bed is design to open and close gently by any user. A specially developed gas lift allow this to happen.
- The table is design to stay flat through out the entire open/shut motion. You do no need to remove things on the table.

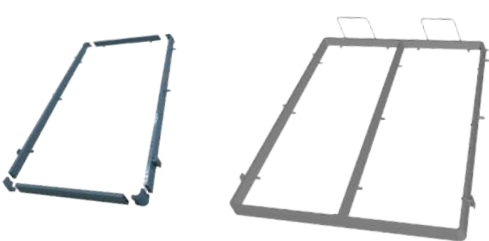








3





Variation

		
Standard (WBB101)	With Table (WBB101T)	Electric (WBB101E)


Bed Frame Component

 <p>Bed Sizes: S - 900mm x 1910mm SS- 1070mm x 1910mm Q - 1520mm x 1910mm</p>	 <p>No. of slat : 13 - 15 pcs depending on length</p>	 <p>Center rail is for double bed only</p>	 <p>Mechanism Chassis (L/R)</p>
	 <p>Slat holder</p>	 <p>Corner Joint</p>	 <p>Mattress guard rail</p>

Mechanism & Sub Frame

 <p>Mechanism Chassis (L/R)</p>	 <p>Gas lift</p>	 <p>Table</p>	 <p>Actuator Link</p>	 <p>Actuator Frame</p>	 <p>Actuator</p>
Standard		With Table	Electric		

Gas lift

 <p>Gas lift</p>	<p>Specifications</p> <p>Gas Lift Force Available:</p> <p>For single bed : 750N</p> <p>For Double bed : 950N</p> <p>For Heavy matteress : 1150N</p>	Gas Lift Strength (N)	Loading Guide (Kg)
		700	30 ~ 40
		900	40 ~ 50
		1150	50 ~ 60
		1300	60 ~ 70

Features

 <p>Head Board (optional)</p>	 <p>European gaslifts were specially developed to provide smooth and slow opening action</p>	 <p>The swing leg is designed to swing automatically to vertical position by itself without needing manual input.</p>	 <p>The table is automatically tucked under the bed frame when the bed is in "down" position. The table remain flat through the opening process.</p>
--	---	--	---



Hardware by Compo 

Horizontal Wall Bed (WBB 202)

Extro Horizontal Wall Bed is designed as space saving product allowing the bed to be fold away when not in use. It is a perfect solution as an occasionally used beds especially when there are guest intending to spend a few nights with you.

Key Features:

- Both bed opens gently with just a simple tug.
- Foldable head board.
- Bed frame fold away when not in use.
- With the table option, the wall bed becomes a full size table when the bed is folded away.










Close Position



Variation

		
Standard (WBB202)	With Table (WBB202T)	Electric (WBB202E)


Bed Frame Component

 Bed Sizes: S - 900mm x 1910mm SS- 1070mm x 1910mm	 No. of slat : 13 - 15 pcs depending on length	 Center rail is for double bed only	 Mechanism Chassis (L/R)
	 Slat holder	 Corner Joint	 Mattress guard rail





Mechanism & Sub Frame

 Table Swing Link	 Rotate Stabilizer Link	 Table	 Actuator Link	 Actuator Frame	 Actuator
Standard		With Table	Electric		

Gas lift

 Gas lift	Specifications Gas Lift Force Available: For single bed : 750N For Double bed : 950N For Heavy matteress : 1150N	Gas Lift Strength (N)	Loading Guide (Kg)
		700	30 ~ 40
		900	40 ~ 50
		1150	50 ~ 60
		1300	60 ~ 70

Additional Components

 Mattress Strap	 Door Damper	 Mecha Plate Cover	 Wall Mount Bracket
--	---	--	--